

# Advent eABS

BREAKTHROUGH GPS / DIGITAL ANTI-SKID

## Anti-Skid Braking System for the Textron T-6 Series



Developed by:



**Advent Aircraft Systems, Inc**

# Advent eABS

BREAKTHROUGH GPS / DIGITAL ANTI-SKID

Introducing the breakthrough technology Advent eABS™, which brings anti-skid braking for the first time to aircraft with manual braking systems.

Never before available for the T-6, the proven Advent eABS enables worry-free, effective and performance-enhancing anti-skid braking in all runway conditions. The lightweight system optimizes the landing performance and braking/stopping capabilities of the T-6, allowing the pilot to immediately apply full braking on all surfaces, safely and reliably, with full directional control and tactile feedback from the pedals.

Weighing only 24 pounds, the easily-installed system does not require modification to the existing landing gear or master cylinders.

## Stopping, Re-Invented

**System Performance** - Better directional control and reduced stopping distance on runways contaminated with debris, water, ice and snow.

**Tire Protection** - Eliminates flat-spotted and blown tires during aggressive stopping on dry or contaminated runways.

**Tactile Feedback** - During anti-skid operation, the brake pedal pushes back, annunciating its operation. This feature will aid the pilot in knowing the braking limits of the airplane.

**Low-Speed Cut-out** - The system will not operate, in anti-skid mode, when aircraft speed is below 10 knots.

**Touchdown Protection** - Wheel speed must spin up to at least 85% of aircraft speed before brakes will operate.

**Go ahead.  
Stand on the brakes.**

### ABS Simplicity

The patented Advent eABS system consists of left and right Brake Control Modules, left and right Wheel-Speed Transducers, a Digital Electronic Control Unit and a combined Control Switch and Annunciator in each cockpit.

### Certified

The eABS for the T-6 is certified in the US, Canada, EASA and Australia, with further certifications planned. In addition, the eABS requires maintenance only on condition, thanks to a completed 20,000 cycle test.

### Convenient & Affordable

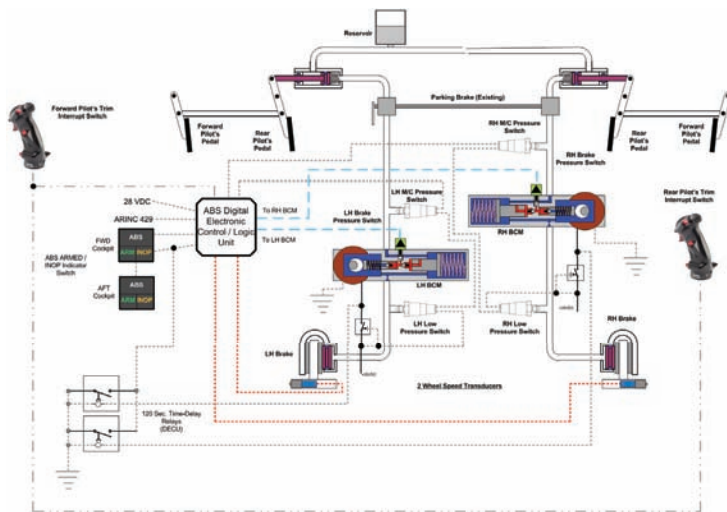
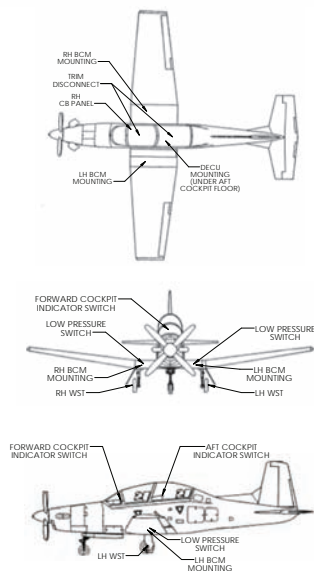
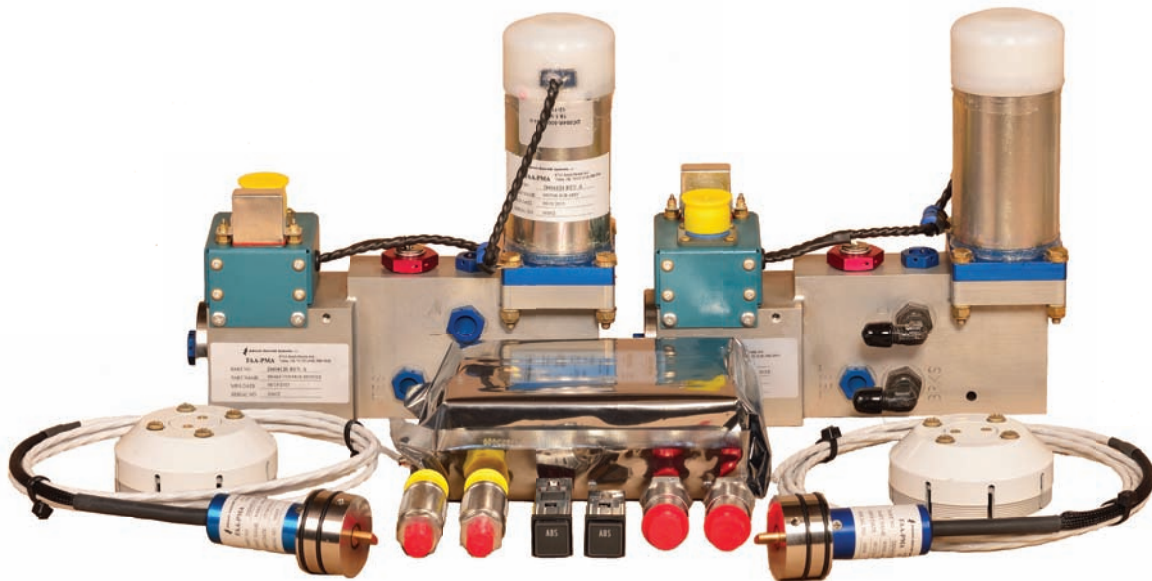
Pricing is available through Textron Aviation Defense, Wichita, Kansas. The easy-to-install system requires minimal downtime as a retrofit. Also available when ordering new T-6Cs or AT-6s.

### Customer Service & Warranty

Advent technical support is available on call or in the field. All eABS components and installation hardware are covered by a two-year warranty.

# Advent eABS

BREAKTHROUGH GPS / DIGITAL ANTI-SKID



For further information on the Advent eABS for your Textron T-6 Series aircraft, contact:

George Sanchez  
Regional Director, New Aircraft and Aftermarket Sales  
Textron Aviation Defense, LLC  
GSanchez@txtav.com  
+1 (202) 770-6636